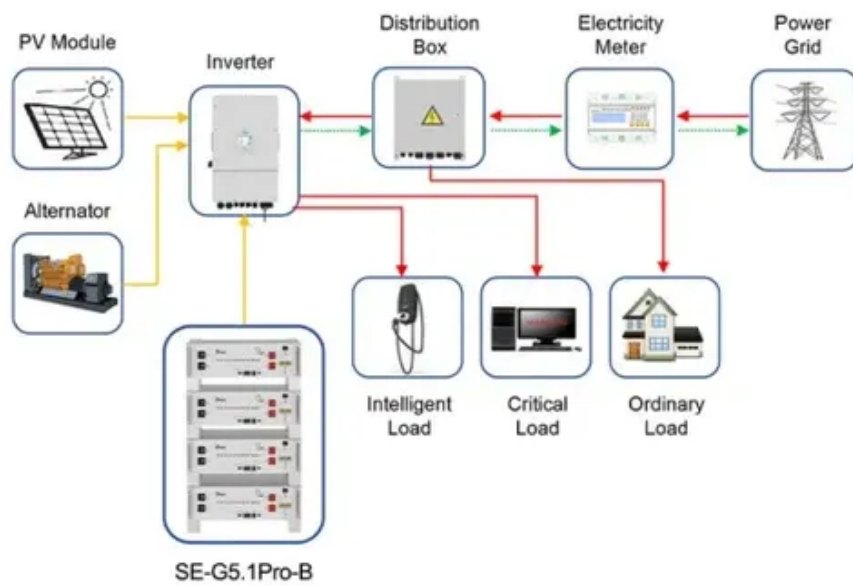




Battery bmssoh



Application scenarios of energy storage battery products





Battery bmssoh



[How to Accurately Measure Battery SOH With a BMS](#)

In addition to monitoring the battery's SOC, this can also be done by continuously monitoring the battery SOH. In this article, we will focus on the important role of BMS in ...

[How to Design a Battery Management System \(BMS\)](#)

Discover how to design an efficient Battery Management System (BMS) that accurately monitors State of Charge (SOC) and State of Health (SOH). Learn about key ...



A Closer Look at State Of Charge (SOC) and State Of Health ...

Regarding SOC and SOH estimation methods, three approaches are mainly being used: a coulomb counting method, voltage method, and Kalman filter method. These methods can be ...

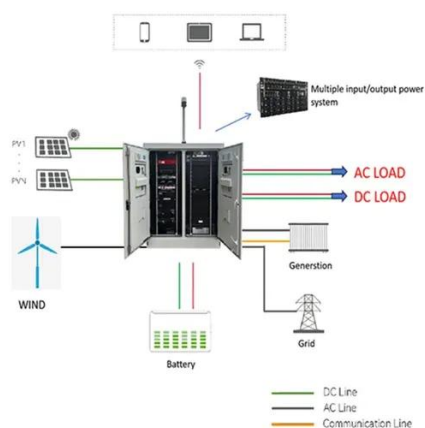


A Model-Based Strategy for Active Balancing and SoC and SoH ...

The primary focus is on estimating the state of charge (SoC) and the state of health (SoH) of a battery pack made of sixteen parallel-connected



modules (PCMs), while actively ...

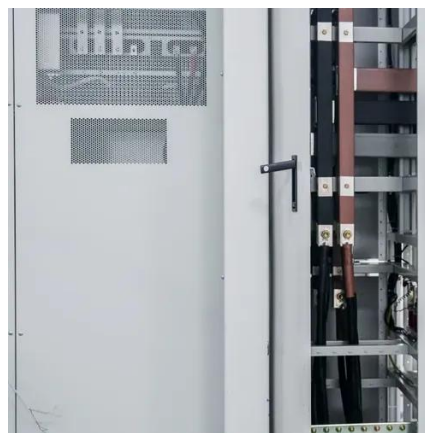


Battery management system: SoC and SoH Estimation Solutions

The major task of a battery management system (BMS) is to provide security and longevity of the battery, while also optimizing battery performance. This can be done through ...

Method for evaluating the accuracy of state-of-charge ...

To verify the proposed battery SOC/SOH accuracy evaluation procedure, EV power load profile is applied to the EV battery pack after the battery is set up to a specific SOC. It is ...



Mastering SOH Estimation for Enhanced BMS Performance

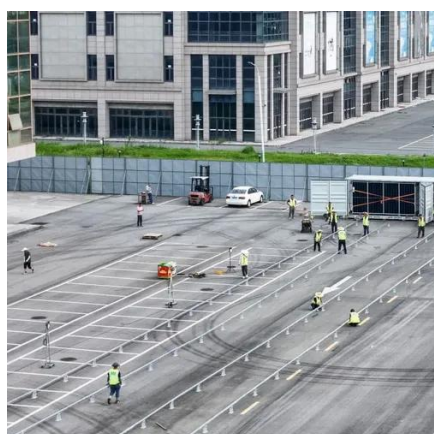
Accurate State of Health (SOH) estimation is crucial for the reliable operation of Battery Management Systems (BMS). SOH estimation enables the prediction of a battery's ...





How to Accurately Measure Battery SOH With a BMS

Besides monitoring the State of Charge (SOC) of the battery, this can also be accomplished by continuously monitoring the State of Health (SOH) of the battery. This paper ...



BMS

When discussing battery management (BM) software, especially in applications like electric vehicles (EVs) or large-scale energy storage systems, the terms SoC, SoH, and SoF ...

Review of battery state estimation methods for electric vehicles ...

State of Health (SOH) significantly determines the performance and durability of EV batteries, with Battery Management System (BMS) playing a crucial role in enhancing their ...





Contact Us

For inquiries, pricing, or partnerships:

<https://www.sccd-sk.eu>

Phone: +32 2 808 71 94

Email: info@sccd-sk.eu

Scan QR code for WhatsApp.

