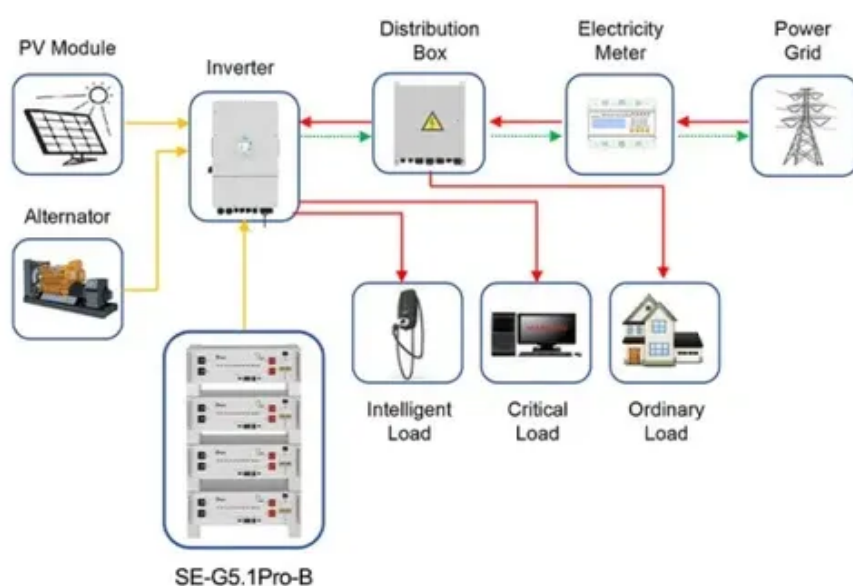




Professional wind and solar complementary power generation system



Application scenarios of energy storage battery products





Professional wind and solar complementary power generation system



Optimal Design of Wind-Solar complementary power generation ...

Future research will focus on stochastic modeling and incorporating energy storage systems. This paper proposes constructing a multi-energy complementary power ...

[Solar and wind complementary power generation technology](#)

This article briefly analyzes the technical advantages of the wind-solar hybrid power generation system, builds models of wind power generation systems, photovoltaic systems, and storage



Optimal Configuration and Empirical Analysis of a Wind-Solar

Wind-solar-hydro-storage multi-energy complementary systems, especially joint dispatching strategies, have attracted wide attention due to their ability to coordinate the ...

Harnessing the Best of Both: A Practical Guide to Wind-Solar ...

Modern hybrid systems utilize either DC coupling or AC coupling architectures. DC coupling connects both solar panels and wind turbines to a



common DC bus before ...



Design of a Wind-Solar Complementary Power Generation Device

In order to improve the utilization efficiency of wind and photovoltaic energy resources, this paper designs a set of wind and solar complementary power generat

Research and Application of Wind-Solar ...

Explore reliable power generation systems that integrate wind turbines and solar photovoltaics to provide sustainable energy solutions.



Optimizing wind-solar hybrid power plant configurations by ...

Numerous studies have shown that the combination of sources with complementary characteristics could make a significant contribution to mitigating the variability of energy ...



10 Best Hybrid Wind and Solar Systems for Sustainable Energy ...

Keep your energy sustainable in 2025 with these top 10 hybrid wind and solar systems--discover which ones will power your future effectively!



[Multivariate analysis and optimal configuration of wind ...](#)

Based on the law of energy conservation, the energetic matching algorithm was proposed which forms the foundation of optimal configuration of system. Finally, the intelligent control and on ...

Wind Water and Solar Complementary Power Generation System ...

By regulating each energy use strategy at different times, the purpose of complementary output is achieved, and the output is guaranteed to be stable as far as ...



Research and Application of Wind-Solar Complementary Power Generation

Explore reliable power generation systems that integrate wind turbines and solar photovoltaics to provide sustainable energy solutions.



Contact Us

For inquiries, pricing, or partnerships:

<https://www.sccd-sk.eu>

Phone: +32 2 808 71 94

Email: info@sccd-sk.eu

Scan QR code for WhatsApp.

